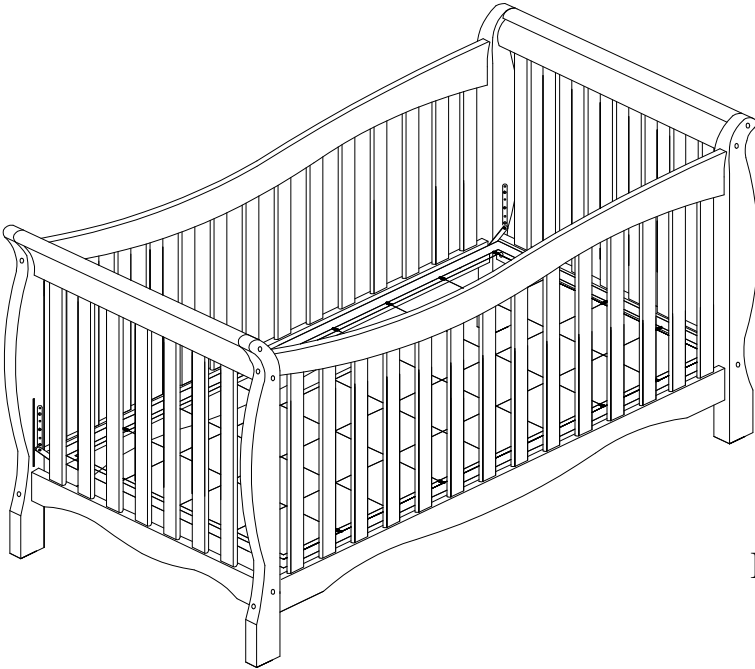


DOREL ASIA

4-IN-1 CONVERTIBLE SLEIGH CRIB

Model No: WM1676BCR-DC

WM1676BC



NOTE:
THIS INSTRUCTION BOOKLET
CONTAINS IMPORTANT SAFETY
INFORMATION. PLEASE READ AND
KEEP FOR FUTURE REFERENCE.

Lot number:
(TAKEN FROM CARTON)

Date of purchase:

____ / ____ / ____

DO NOT RETURN PRODUCT TO THE STORE.

If a part is missing or damaged, contact our customer service department. We will replace the part **FREE** of charge.



Tel # : 1-800-295-1980
E-Mail: das@dorel.com
Fax #: 514-353-7819

CUSTOMER SERVICE

If you are missing parts or have any questions about this product, contact our customer service representative first!



CALL 1-800-295-1980

You can also order parts by writing to the address listed below. Please include the product model number, color and a detailed description of the part.

**Customer Service Department No. 413
12345 Albert-Hudon Boulevard, Suite 100
Montreal, Quebec
Canada H1G 3L1
E-MAIL: das@dorel.com**



WARNING

- * Failure to follow these warnings and assembly instructions could result in serious injury or death.
- * Read all instructions before assembling crib. **KEEP INSTRUCTIONS FOR FUTURE USE.**
- * Before each usage or assembly, inspect crib for damaged hardware, loose joints, missing parts or sharp edges, **DO NOT** use crib if any parts are missing or broken. Ask your dealer or write to our customer service representative (address & phone number shown above) for replacement parts and instructional literature if needed. **DO NOT** substitute parts.
- * Infants can suffocate on soft bedding. Never add a pillow, comforter or padding.
- * When child is able to climb out or reaches the height of 35 inches (90 cm), the crib shall no longer be used.
- * To reduce the risk of SIDS, pediatricians recommend healthy infants be placed on their backs to sleep, unless otherwise advised by your physician.
- * **DO NOT** place crib near window where cords from blinds or drapes may strangle a child.
- * Strings can cause strangulation! **DO NOT** place crib with a string around a child's neck, such as hood strings or pacifier cords. **DO NOT** suspend strings over a crib or attach strings to toys.
- * To help prevent strangulation tighten all fasteners. A child can trap parts of the body or clothing on loose fasteners.
- * If refinishing, use a non-toxic finish specified for children's products.
- * When child is able to pull to standing position, set mattress to lowest position and remove bumper pads, large toys and other objects that could serve as steps for climbing out.
- * Never use plastic shipping bags or other plastic film as mattress covers because they can cause suffocation.
- * **DO NOT** use a water mattress with this crib.
- * Replace teething rail if damaged or loose (if teething rail is provided for this model).
- * **CAUTION: ANY MATTRESS USED IN THIS CRIB MUST BE AT LEAST 27-1/4 INCHES BY 51-5/8 INCHES (69CM BY 131CM) WITH A MINIMUM THICKNESS OF 4 INCHES (10CM) BUT NOT EXCEEDING 6 INCHES (15CM).**
- * Infants can suffocate in gaps between crib sides and a mattress that is too small.



WARNING ENTRAPMENT / STRANGULATION HAZARD:

- * Infants have died in toddler beds from entrapment and strangulation
- * **NEVER** use bed with children under 15 months.
- * **NEVER** place bed near windows where cords from blinds or drapes may strangle a child.
- * The **TODDLER BED** or **DAY BED** is not intended for children under 15 months of age or over 50 pounds (22.7kg).
- * If guardrails are used as the mattress containment means, guardrail(s) provided must be used to avoid the formation of a gap between the mattress and the bed that could cause an entrapment (when product is used as a **TODDLER BED** or **DAY BED**).
- * **DO NOT** place **DAY BED** or **TODDLER BED** near windows where cords from blinds or drapes may strangle a child.
- * **DO NOT** place items with a string, cord, or ribbon around a child's neck, such as hood strings or pacifier cords.
- * **DO NOT** suspend strings over a **TODDLER BED** or **DAY BED** for any reason.

NOTES

- * Ensure all parts and components are present before beginning assembly.
- * Assemble on soft, smooth surface to prevent damage to product finish.
- * Phillips head screw driver is not included.
- * DO NOT use power tools.
- * CAUTION: Adult assembly required.
- * Assembly will require two people.



WARNING: Should this product become damaged, and/or components are broken or missing, DO NOT USE.

CARE AND CLEANING

Dust regularly with a soft, lint-free cloth to prevent soil build-up. A damp cloth may be used occasionally to clean surface. Dry immediately. Do not use any abrasives that may damage finish. Excessive exposure to sunlight and extreme changes in temperature and moisture can damage wood furniture.

If the crib is to be stored, store in cool dry place and carefully package all original hardware to protect from loss.

MAINTENANCE

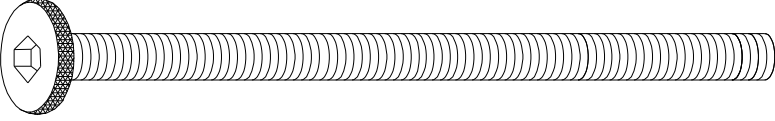
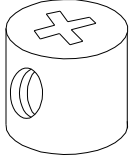
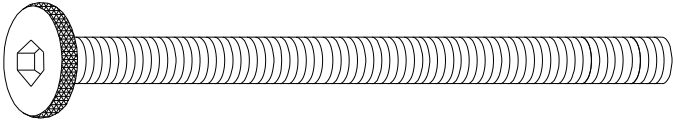
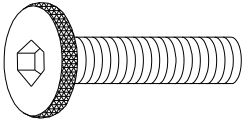


Check bolts/screws periodically and tighten them if necessary.

DOREL ASIA LIMITED WARRANTY

Dorel Asia warrants its product to be free from defects in material and workmanship and agrees to remedy any such defect. This warranty covers 1 year from the date of original purchase. This warranty is valid only upon presentation of proof of purchase. This is solely limited to the repair or replacement of defective furniture components and no assembly labor is included. This warranty does not apply to any product which has been improperly assembled, subjected to misuse or abuse or which has been altered or repaired in any way. This warranty gives you specific legal rights and you may also have other rights which vary from State to State.

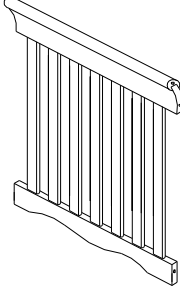
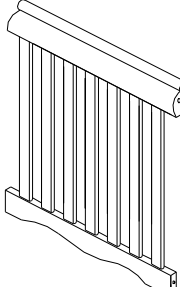
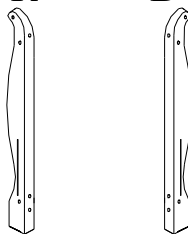
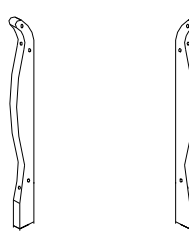
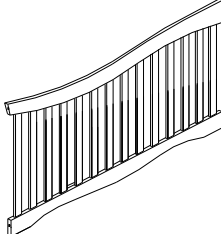
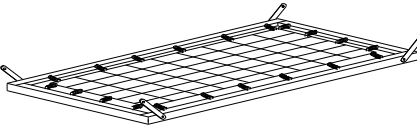
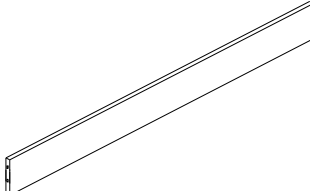
**WM1676BCR-DC / WM1676BC
4-IN-1 CONVERTIBLE SLEIGH CRIB**

HARDWARE LIST

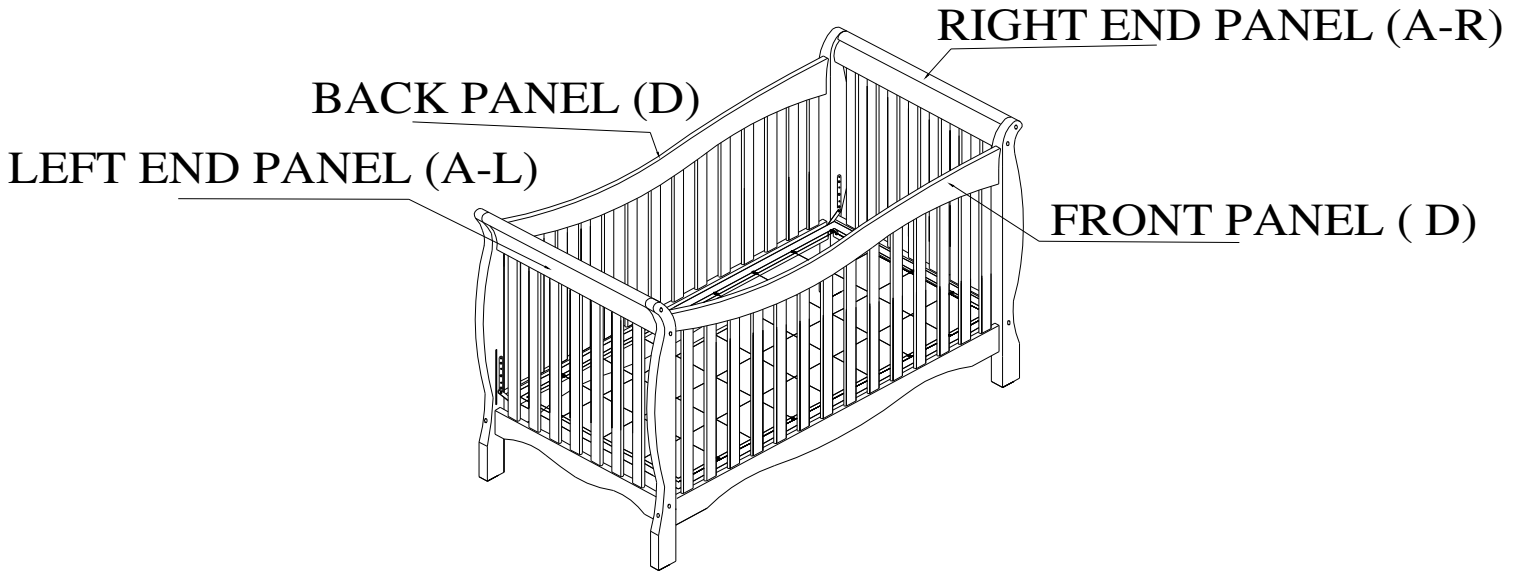
1	 <p align="center">Ø 1/4" x 3-1/4"</p>	3	
<p align="center">BOLT 2 PCS</p>		<p align="center">BARREL NUT 2 PCS</p>	
2	 <p align="center">Ø 1/4" x 2-3/4"</p>	4	 <p align="center">Ø 6mm x 3/4"</p>
<p align="center">BOLT 20 PCS</p>		<p align="center">BOLT 16 PCS</p>	
5		6	 <p align="center">Ø 8 x 30 mm</p>
<p align="center">ALLEN KEY 1 PC</p>		<p align="center">WOOD DOWEL 2 PCS</p>	

**WM1676BCR-DC / WM1676BC
4-IN-1 CONVERTIBLE SLEIGH CRIB**

PARTS LIST

<p>A-L</p> 	<p>A-R</p> 
<p align="center">LEFT END PANEL 1 PC</p>	<p align="center">RIGHT END PANEL 1 PC</p>
<p>B</p> <p>B-R B-L</p> 	<p>C</p> <p>C-R C-L</p> 
<p align="center">FRONT POST 2 PCS</p>	<p align="center">BACK POST 2 PCS</p>
<p>D</p> 	<p>E</p> 
<p align="center">FRONT PANEL/BACK PANEL 2 PCS</p>	<p align="center">MATTRESS SUPPORT 1 PC</p>
<p>F</p> 	
<p align="center">GUARD RAIL 1 PC</p>	

WM1676BCR-DC / WM1676BC
4-IN-1 CONVERTIBLE SLEIGH CRIB



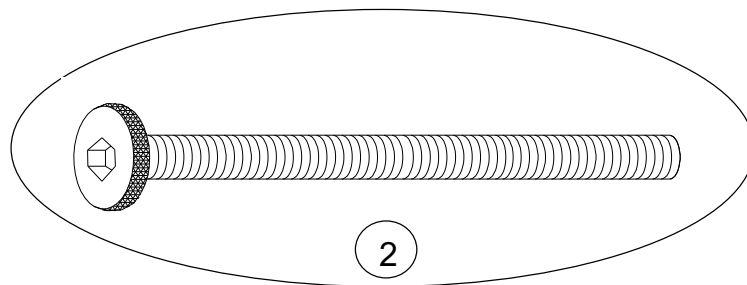
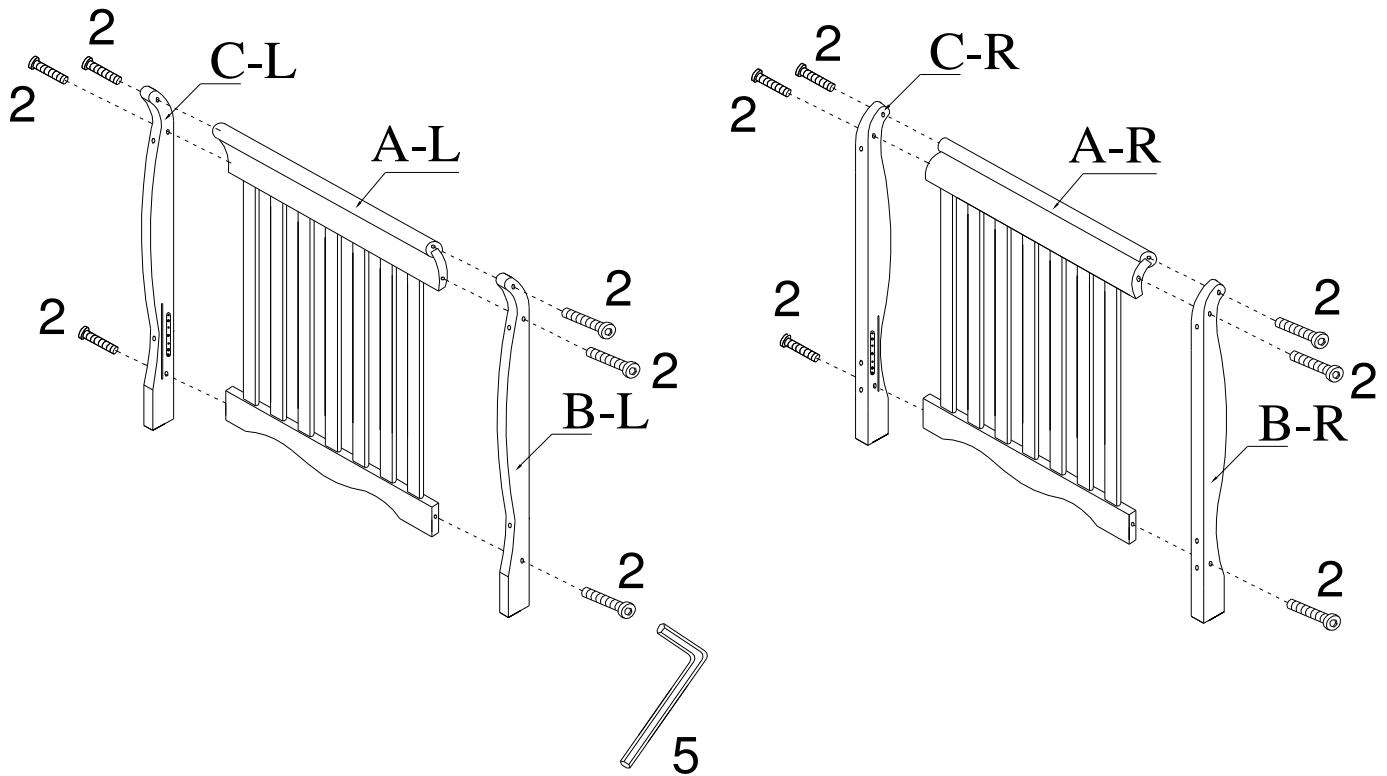
CRIB ASSEMBLY INSTRUCTION

NOTE: When inserting bolts, turn clockwise until tighten. Then loosen 1/2-3/4 of a turn. After crib is completely assembled, return to each bolt and tighten. Use wax or soap on all bolts to facilitate assembly.

**WM1676BCR-DC / WM1676BC
4-IN-1 CONVERTIBLE SLEIGH CRIB**

STEP 1

Attach front post (B-R) and back post (C-R) to right end panel (A-R) with bolts (2). Use Allen Key (5) to tighten bolts. Repeat the steps for the left end panel (A-L) assembly.

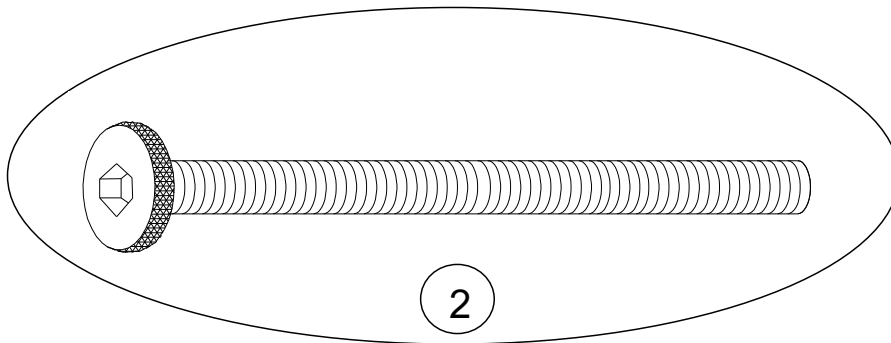
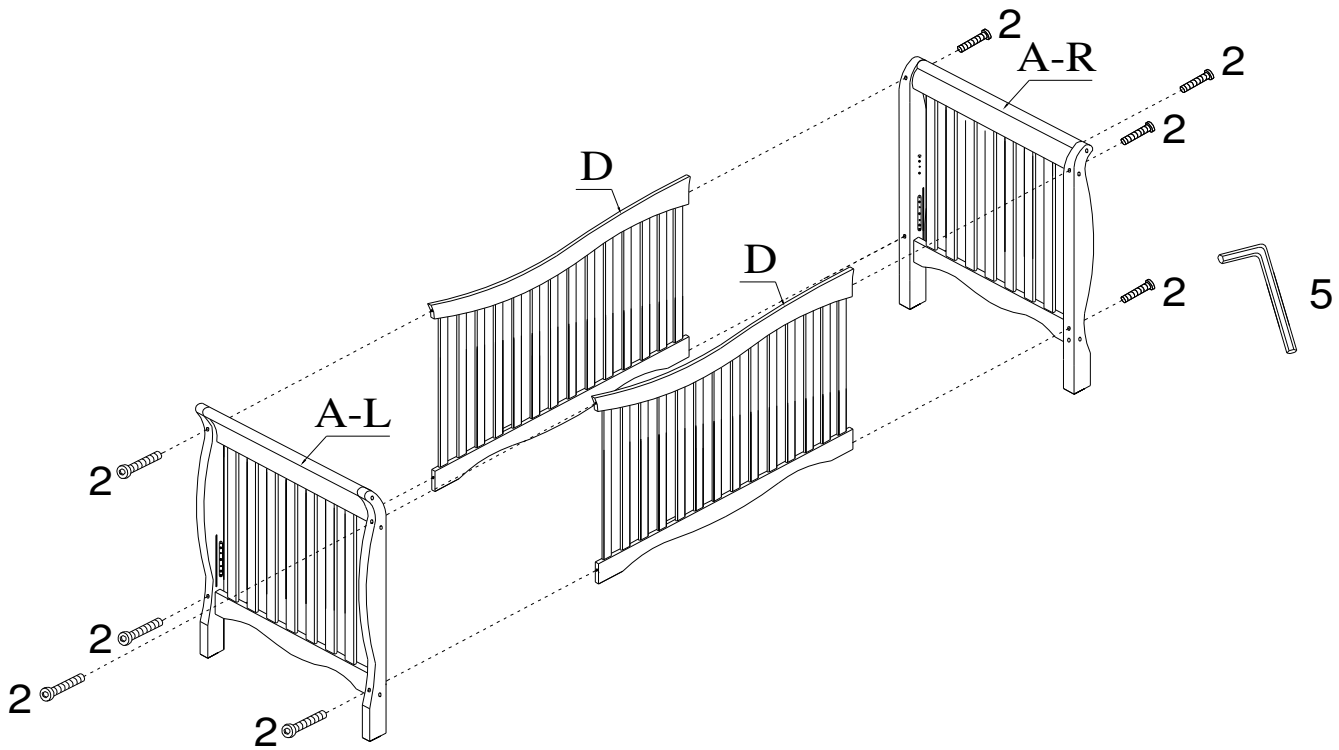


WM1676BCR-DC / WM1676BC

4-IN-1 CONVERTIBLE SLEIGH CRIB

STEP 2

Attach left and right end panels (A-L) and (A-R) to front and back panels (D) with bolts (2). Use Allen Key (5) to tighten bolts.

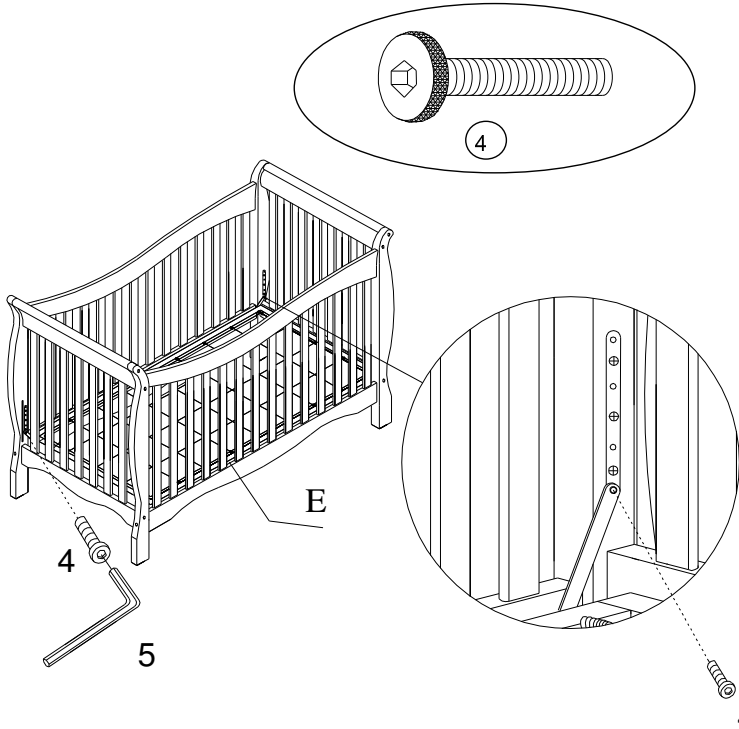


WM1676BCR-DC / WM1676BC

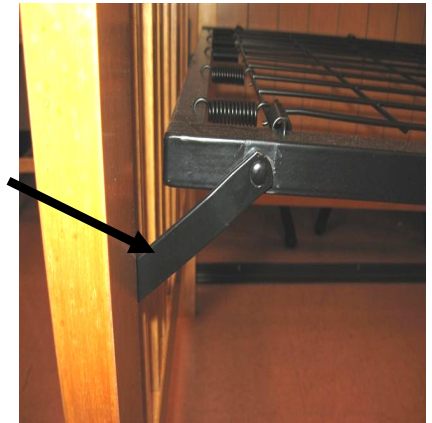
4-IN-1 CONVERTIBLE SLEIGH CRIB

STEP 3:

Attach mattress support (E) to the 4 corner posts with bolts (4). Use Allen Key (5) to tighten bolts. Refer to details 1 and 2.



Raised edge should face down - this photo show mattress support is upside down



Tabs on corners of mattress support should point up

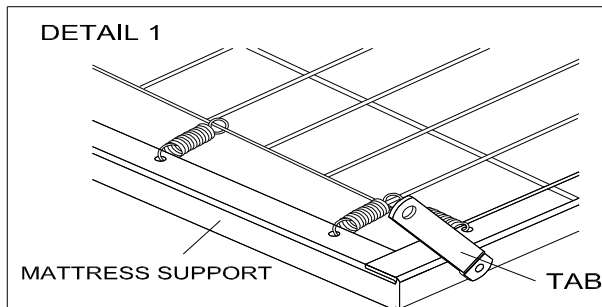


Tab to point up

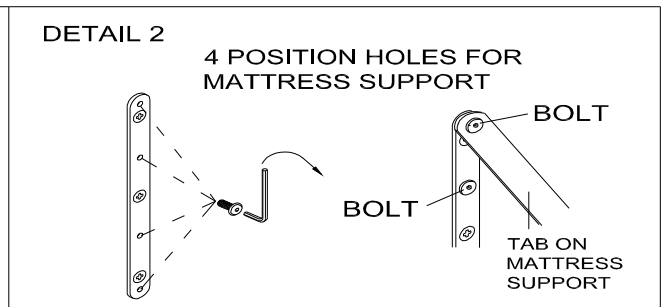
Flat surface of mattress support to face up - mattress must sit on flat surface

INCORRECT

CORRECT

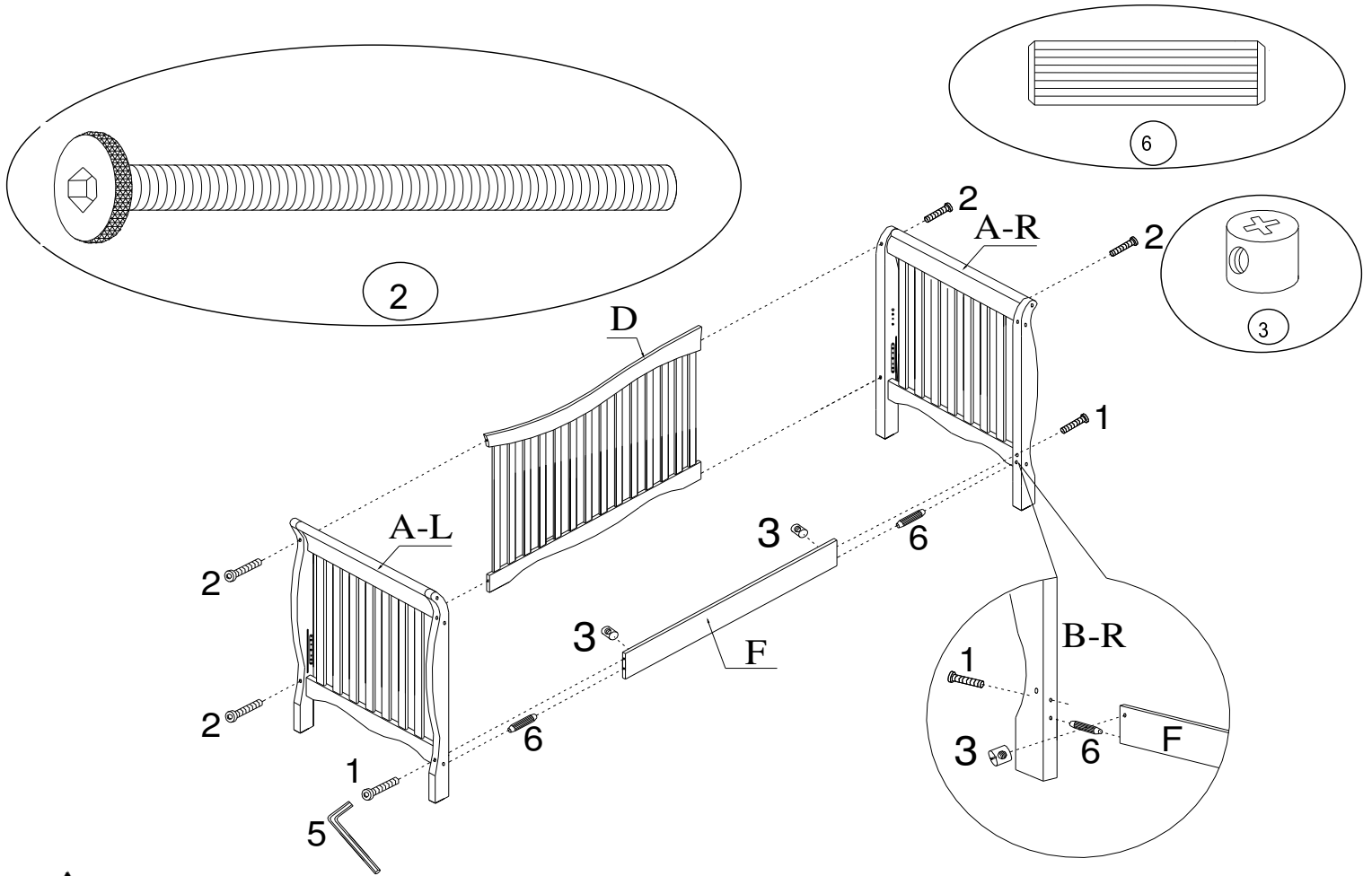


NOTE: Tabs must always be above the mattress support when installed as shown in detail 1. Do not install the mattress support up side down where the 4 edges are above the wire mesh.



NOTE: Please ensure that all the height adjustment holes are filled with appropriate bolts after the mattress support has been moved to the desired level. Make sure that these bolts are tightly secured.

WM1676BCR-DC / WM1676BC
4-IN-1 CONVERTIBLE SLEIGH CRIB
DAY BED & TODDLER BED ASSEMBLY INSTRUCTION



WARNINGS:

* Any mattress used in this crib must be at least 27-1/4 inches x 51-5/8 inches (69cm x 131cm) with a minimum thickness of 4 inches (10cm) and not exceeding 6 inches (15cm).

* The DAY BED or TODDLER BED is not intended for children under 15 months of age or over 50 pounds.

NOTE: When inserting bolts turn clockwise until tight. Then loosen 1/2-3/4 of a turn. After crib is completely assembled, return to each bolt and tighten. Use wax or soap on all bolts to facilitate assembly.

DAY BED & TODDLER BED ASSEMBLY INSTRUCTIONS: STARTING FROM CRIB

STEP 1 Detach the front panel (D) from the front posts (B-R) and (B-L) using Allen Key (5).

STEP 2 If mattress support (E) is not in the lowest position, unscrew mattress support bolts (4) and move to the lowest position.

STEP 3 Insert the barrel nuts (3) into the holes of the guard rail (F). Attach the front posts (B-R) and (B-L) to the guard rail (F) with bolts (1), wood dowels (6) and barrel nuts (3).

STEP 4 Ensure all bolts are securely tightened.

TODDLER BED & DAY BED ASSEMBLY INSTRUCTION: STARTING FROM SCRATCH

STEP 1: Follow step 1 to 3 of the crib assembly instruction while leaving of the front panel (D) in step 2.

STEP 2: Follow step 2 to 4 for the day bed assembly instruction located above (starting from crib).

WM1676BCR-DC / WM1676BC 4-IN-1 CONVERTIBLE SLEIGH CRIB

FULL SIZE BED ASSEMBLY INSTRUCTION

NOTE: FULL SIZE CONVERSION RAILS ARE NOT INCLUDED. DIAGRAM 2 IS FOR REFERENCE ONLY. BED RAILS AND MAY DIFFER FROM ILLUSTRATION.

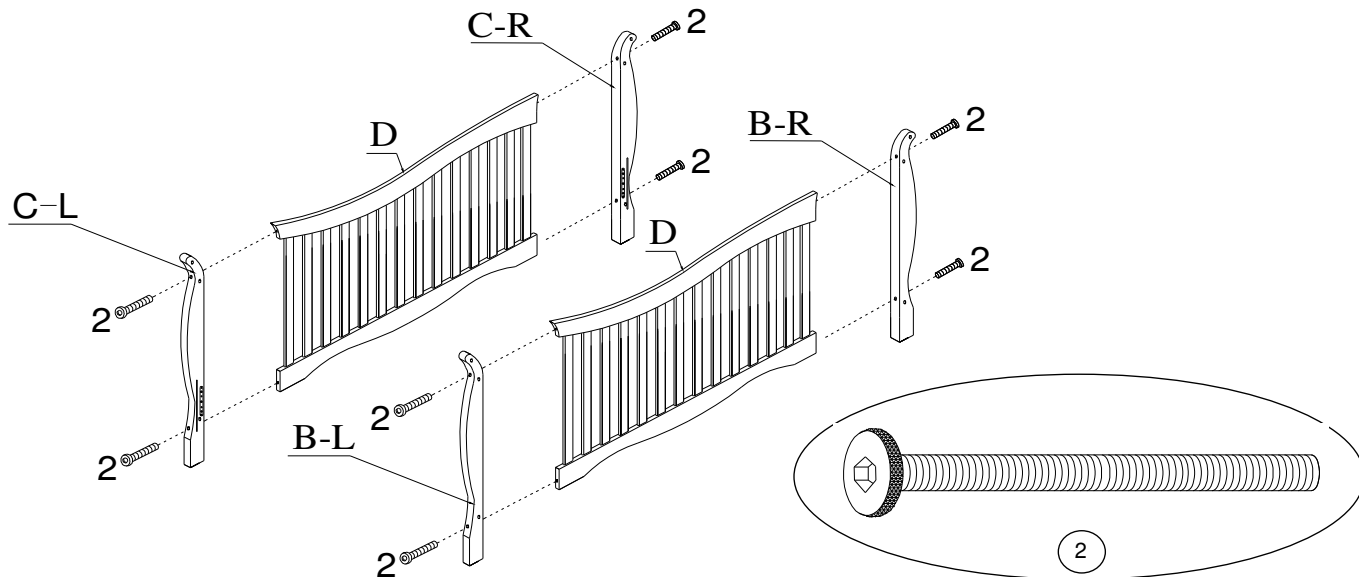
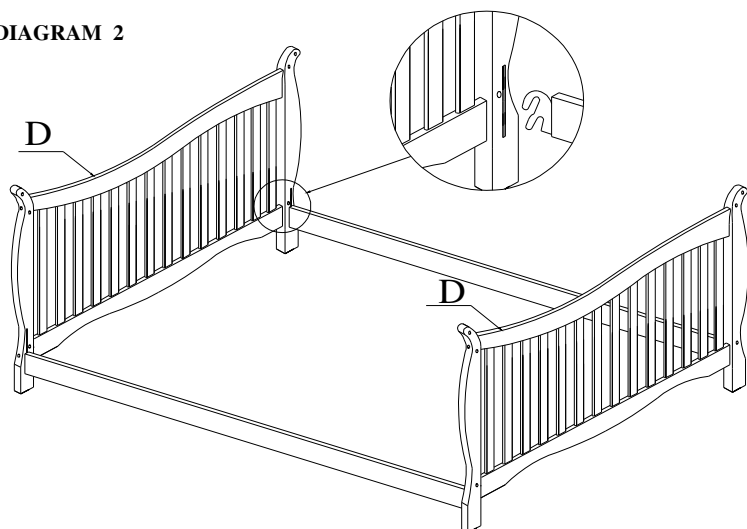


DIAGRAM 1

STEP 1 Attach the front posts (B-R) and (B-L) to the front panel (D). Repeat for back posts (C-R) and (C-L) to the back panel (D) by using bolts (2) as shown in diagram 1.

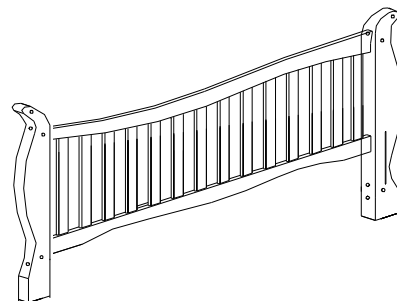
Assemble the full size conversion rails (not included) to the front and/or back panel (D) .

DIAGRAM 2



HEADBOARD AND FOOTBOARD

DIAGRAM 3

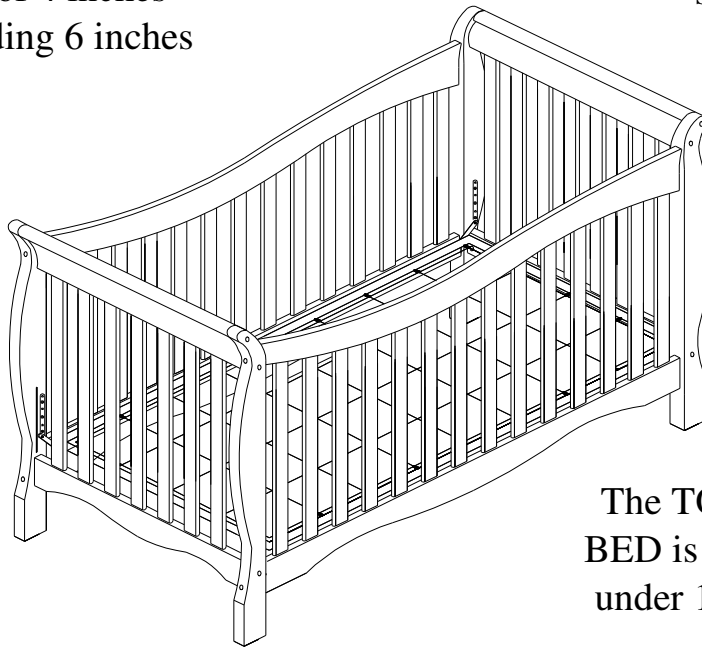


HEADBOARD ONLY

**WM1676BCR-DC / WM1676BC
4-IN-1 CONVERTIBLE SLEIGH CRIB**

Any mattress used in this crib must be at least 27-1/4 inches by 51-5/8 inches (69cm by 131cm) with a minimum thickness of 4 inches (10cm) but not exceeding 6 inches (15cm).

When child is able to climb out or reaches the height of 35 inches (90 cm), the crib shall no longer be used



The TODDLER BED or DAY BED is not intended for children under 15 months of age or over 50 pounds.

That's it ! You've finished assembling your 4 IN 1 CRIB !

DO NOT RETURN PRODUCT TO THE STORE.
If a part is missing or damaged, contact our customer service department. We will replace the part **FREE** of charge.



**Tel # : 1-800-295-1980
E-Mail: das@dorel.com
Fax #: 514-353-7819**