

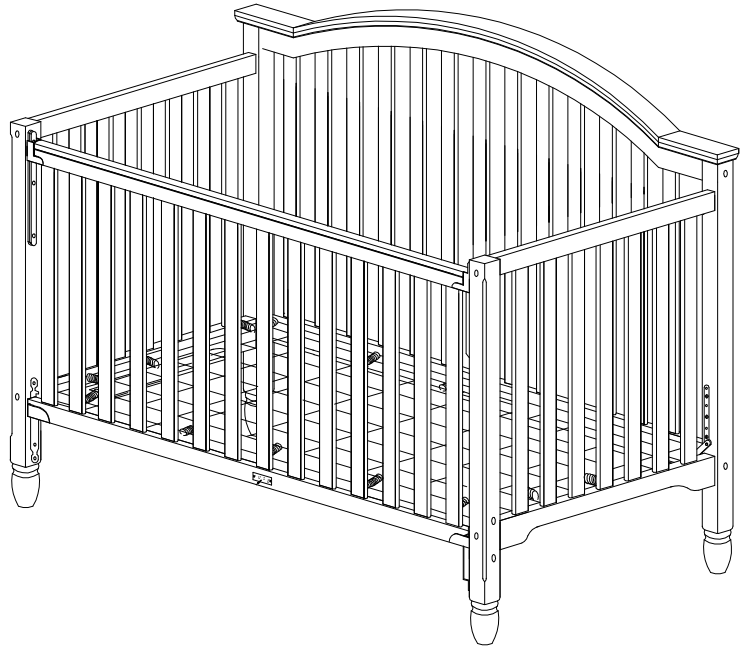
LEXINGTON 3 IN 1 CONVERTIBLE SLEIGH CRIB

OWNER'S MANUAL

MODEL No.: DA1614B3

NOTE:

This instruction booklet contains
IMPORTANT safety information.
Please read and keep for future reference.



DATE OF PURCHASE:

____ / ____ / ____

RECEIPT OF PURCHASE:



DO NOT RETURN PRODUCT TO THE STORE.

If a part is missing or damaged, contact our customer service department. We will replace the part **FREE** of charge.



Tel #: 1-800-295-1980
E-Mail: das@dorel.com
Fax #: 514-353-7819

CUSTOMER SERVICE

If you are missing parts or have any questions about this product, contact our customer service representative first!



CALL 1-800-295-1980

You can also order parts by writing to the address listed below. Please include the product model number, color and a detailed description of the part.

Customer Service Department No. 413
12345 Albert-Hudon Boulevard, Suite 100
Montreal, Quebec
Canada H1G 3L1
E-MAIL: das@dorel.com



WARNING

- * Failure to follow these warnings and assembly instructions could result in serious injury or death.
- * Read all instructions before assembling crib. **KEEP INSTRUCTIONS FOR FUTURE USE.**
- * Before each usage or assembly, inspect crib for damaged hardware, loose joints, missing parts or sharp edges, **DO NOT** use crib if any parts are missing or broken. Ask your dealer or write to our customer service representative (address & phone number shown above) for replacement parts and instructional literature if needed. **DO NOT** substitute parts.
- * Infants can suffocate on soft bedding. Never add a pillow, comforter or padding.
- * When child is able to climb out or reaches the height of 35 inches (90 cm), the crib shall no longer be used.
- * To reduce the risk of SIDS, pediatricians recommend healthy infants be placed on their backs to sleep, unless otherwise advised by your physician.
- * **DO NOT** place crib near window where cords from blinds or drapes may strangle a child.
- * Strings can cause strangulation! **DO NOT** place crib with a string around a child's neck, such as hood strings or pacifier cords. **DO NOT** suspend strings over a crib or attach strings to toys.
- * To help prevent strangulation tighten all fasteners. A child can trap parts of the body or clothing on loose fasteners.
- * If refinishing, use a non-toxic finish specified for children's products.
- * When child is able to pull to standing position, set mattress to lowest position and remove bumper pads, large toys and other objects that could serve as steps for climbing out.
- * Never use plastic shipping bags or other plastic film as mattress covers because they can cause suffocation.
- * **DO NOT** use a water mattress with this crib.
- * Replace teething rail if damaged or loose (if teething rail is provided for this model).
- * **CAUTION: ANY MATTRESS USED IN THIS CRIB MUST BE AT LEAST 27-1/4 INCHES BY 51-5/8 INCHES (69CM BY 131CM) WITH A MINIMUM THICKNESS OF 4 INCHES (10CM) BUT NOT EXCEEDING 6 INCHES (15CM).**
- * Infants can suffocate in gaps between crib sides and a mattress that is too small.

WARNING ENTRAPMENT / STRANGULATION HAZARD:

- * Infants have died in toddler beds from entrapment and strangulation
- * **NEVER** use bed with children under 15 months.
- * **NEVER** place bed near windows where cords from blinds or drapes may strangle a child.
- * The **TODDLER BED** or **DAY BED** is not intended for children under 15 months of age or over 50 pounds (22.7kg).
- * If guardrails are used as the mattress containment means, guardrail(s) provided must be used to avoid the formation of a gap between the mattress and the bed that could cause an entrapment (when product is used as a **TODDLER BED** or **DAY BED**).
- * **DO NOT** place **DAY BED** or **TODDLER BED** near windows where cords from blinds or drapes may strangle a child.
- * **DO NOT** place items with a string, cord, or ribbon around a child's neck, such as hood strings or pacifier cords.
- * **DO NOT** suspend strings over a **TODDLER BED** or **DAY BED** for any reason.

NOTES

- * Ensure all parts and components are present before beginning assembly.
- * Assemble on soft, smooth surface to prevent damage to product finish.
- * Phillips head screw driver is not included.
- * DO NOT use power tools.
- * CAUTION: Adult assembly required.
- * Assembly will require two people.



WARNING: Should this product become damaged, and/or components are broken or missing, DO NOT USE.

CARE AND CLEANING

Dust regularly with a soft, lint-free cloth to prevent soil build-up. A damp cloth may be used occasionally to clean surface. Dry immediately. Do not use any abrasives that may damage finish. Excessive exposure to sunlight and extreme changes in temperature and moisture can damage wood furniture.

If the crib is to be stored, store in cool dry place and carefully package all original hardware to protect from loss.

MAINTENANCE

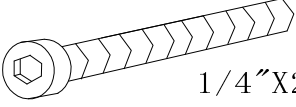
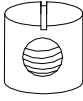
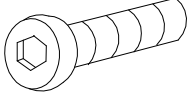
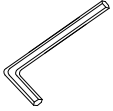

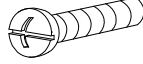
Check bolts/screws periodically and tighten them if necessary.

DOREL ASIA LIMITED WARRANTY

Dorel Asia warrants its product to be free from defects in material and workmanship and agrees to remedy any such defect. This warranty covers 1 year from the date of original purchase. This warranty is valid only upon presentation of proof of purchase. This is solely limited to the repair or replacement of defective furniture components and no assembly labor is included. This warranty does not apply to any product which has been improperly assembled, subjected to misuse or abuse or which has been altered or repaired in any way. This warranty gives you specific legal rights and you may also have other rights which vary from State to State.

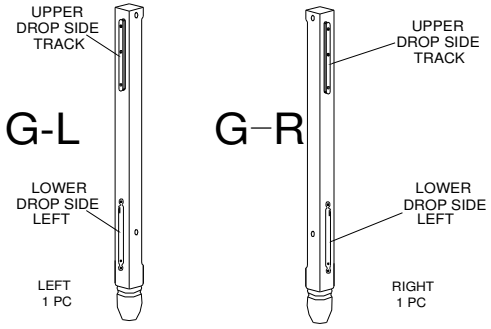
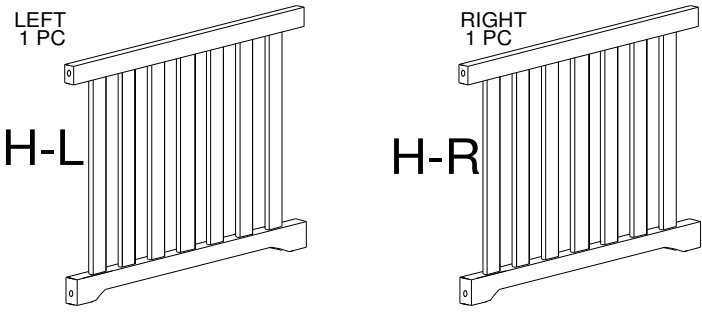
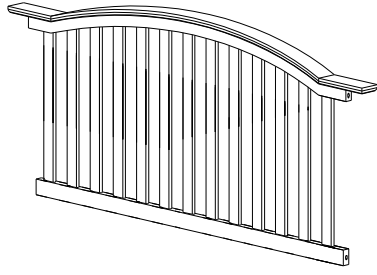
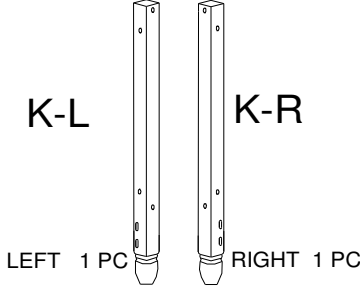
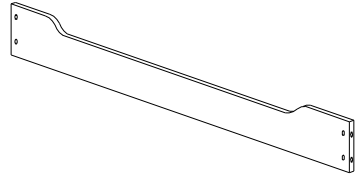
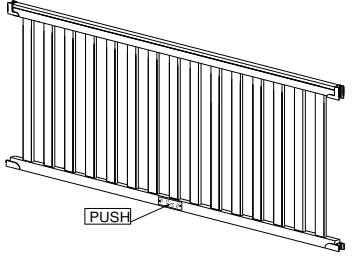
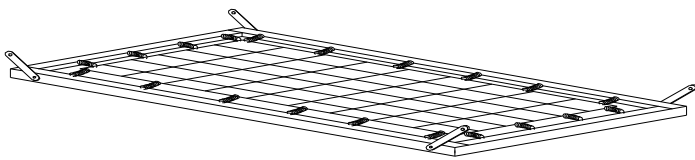
LEXINGTON 3 IN 1 CONVERTIBLE SLEIGH CRIB DA1614B3

HARDWARE LIST

<p style="text-align: center;">1</p>  <p style="text-align: center;">1/4"X2-3/4"</p> <p style="text-align: center;">HEAD BOLT 16 PCS</p>	<p style="text-align: center;">2</p>  <p style="text-align: center;">1/4"X14mm</p> <p style="text-align: center;">BARREL NUT 4 PCS</p>	<p style="text-align: center;">3</p>  <p style="text-align: center;">∅6mmX3/4"</p> <p style="text-align: center;">MATTRESS SUPPORT BOLT 16 PCS</p>
<p style="text-align: center;">4</p>  <p style="text-align: center;">ALLEN KEY 1 PC</p>	<p style="text-align: center;">5</p>  <p style="text-align: center;">RUBBER STOPPER 2 PCS</p>	<p style="text-align: center;">6</p>  <p style="text-align: center;">MACHINE SCREW 2 PCS</p>

LEXINGTON 3 IN 1 CONVERTIBLE SLEIGH CRIB DA1614B3

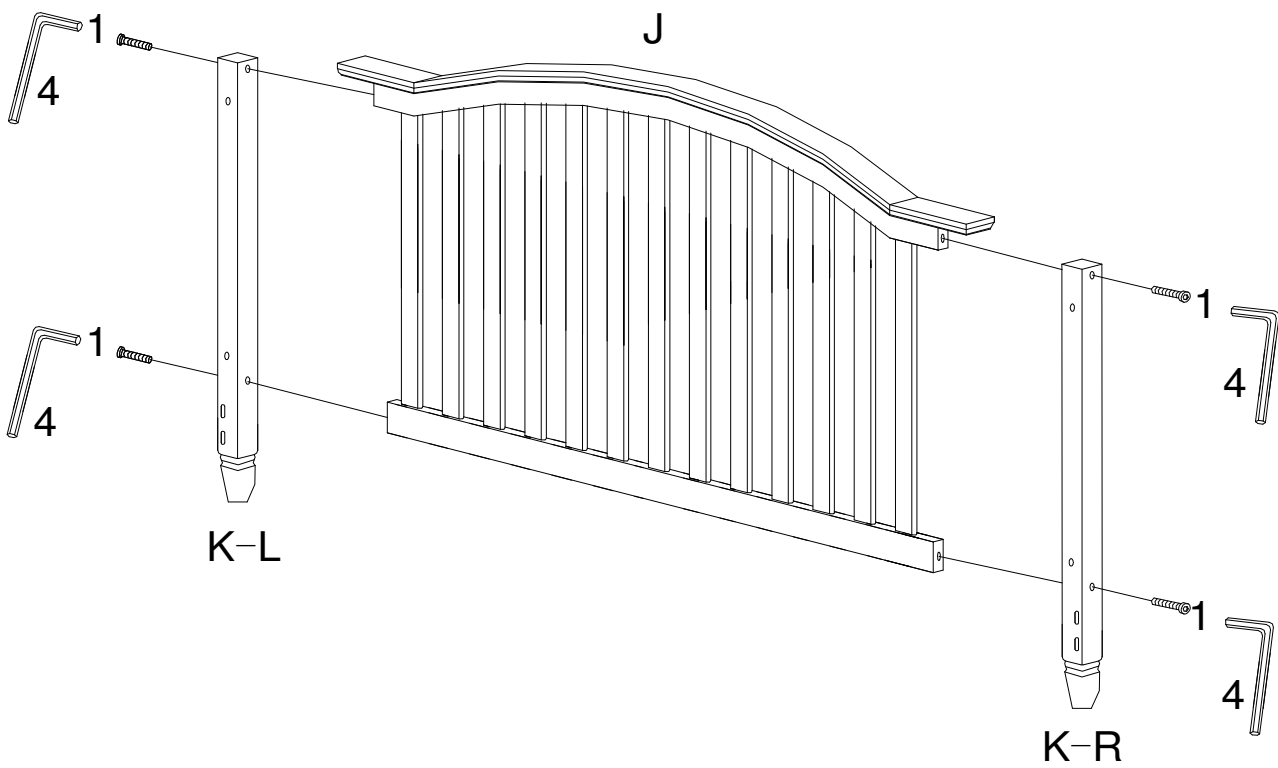
PARTS LISTS

<div style="text-align: center; border: 1px solid black; width: 50px; margin: 0 auto; font-weight: bold;">G</div>  <p style="text-align: center;">G-L G-R</p> <p style="text-align: center;">LEFT 1 PC RIGHT 1 PC</p> <p style="text-align: center;">FRONT POSTS LEFT (G-L) 1 PC / RIGHT (G-R) 1 PC</p>	<div style="text-align: center; border: 1px solid black; width: 50px; margin: 0 auto; font-weight: bold;">H</div>  <p style="text-align: center;">H-L H-R</p> <p style="text-align: center;">LEFT 1 PC RIGHT 1 PC</p> <p style="text-align: center;">SIDE FRAMES LEFT SIDE FRAME (H-L) 1 PC / RIGHT SIDE FRAME (H-R) 1 PC</p>
<div style="text-align: center; border: 1px solid black; width: 50px; margin: 0 auto; font-weight: bold;">J</div>  <p style="text-align: center;">HEAD BOARD 1 PC</p>	<div style="text-align: center; border: 1px solid black; width: 50px; margin: 0 auto; font-weight: bold;">K</div>  <p style="text-align: center;">K-L K-R</p> <p style="text-align: center;">LEFT 1 PC RIGHT 1 PC</p> <p style="text-align: center;">BACK POSTS LEFT BACK POST (K-L)/ RIGHT BACK POST (K-R)</p>
<div style="text-align: center; border: 1px solid black; width: 50px; margin: 0 auto; font-weight: bold;">M</div>  <p style="text-align: center;">DAY BED RAIL 1 PC</p>	<div style="text-align: center; border: 1px solid black; width: 50px; margin: 0 auto; font-weight: bold;">L</div>  <p style="text-align: center;">DROP SIDE 1 PC</p>
<div style="text-align: center; border: 1px solid black; width: 50px; margin: 0 auto; font-weight: bold;">N</div>  <p style="text-align: center;">MATTRESS SUPPORT 1 PC</p>	

LEXINGTON 3 IN 1 CONVERTIBLE SLEIGH CRIB DA1614B3

STEP 1

ATTACH LEFT AND RIGHT BACK POSTS (K-L & K-R) TO HEADBOARD (J), USING HEAD BOLTS (1). USE ALLEN KEY (4) TO TIGHTEN HEAD BOLTS (1).

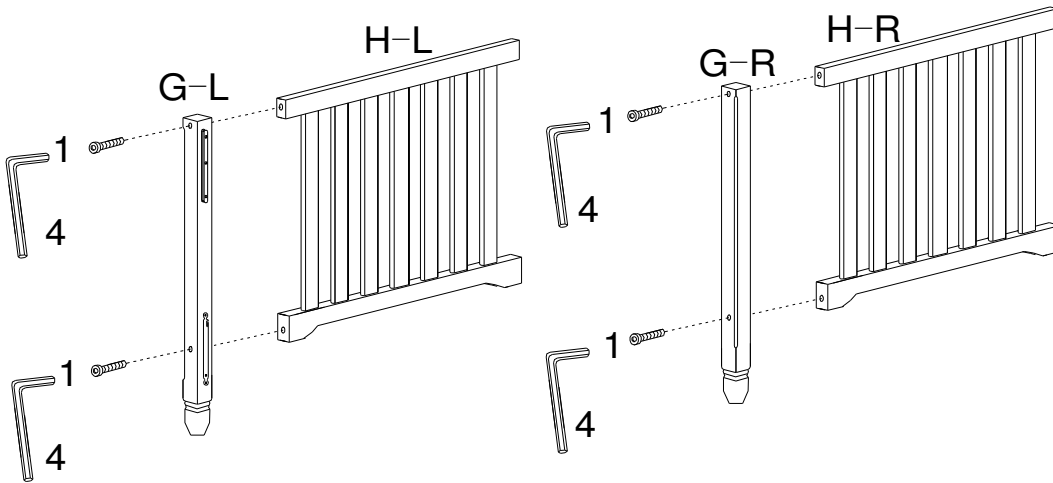


LEXINGTON 3 IN 1 CONVERTIBLE SLEIGH CRIB

DA1614B3

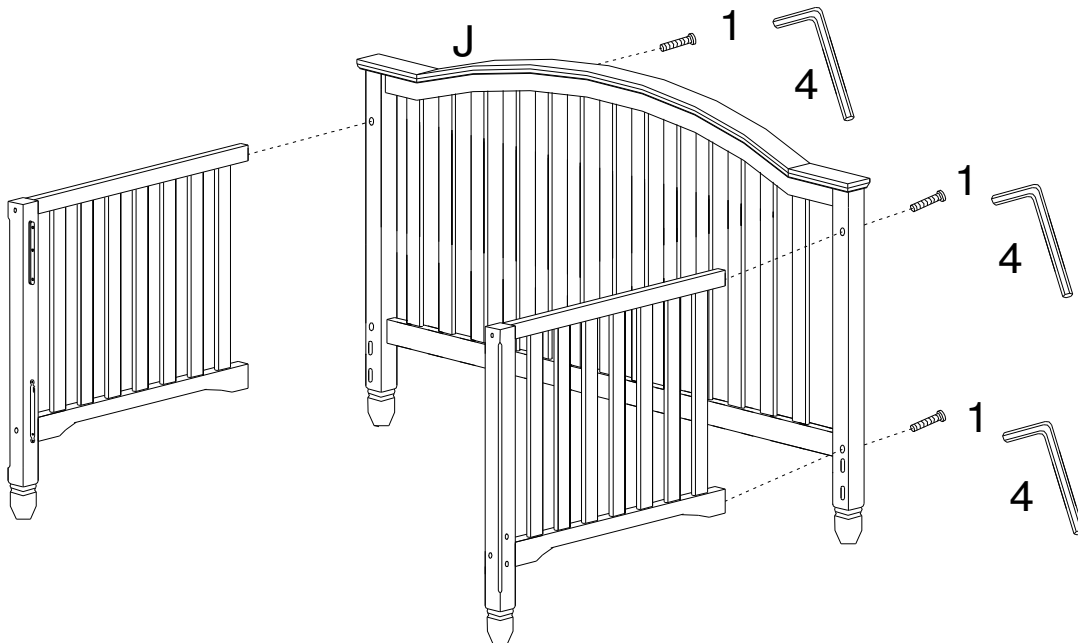
STEP 2

ATTACH RIGHT FRONT POST (G-R) TO RIGHT SIDE FRAME (H-R) WITH HEAD BOLTS (1). USE ALLEN KEY (4) TO TIGHTEN HEAD BOLTS (1). REPEAT THIS STEP WITH LEFT FRONT POST (G-L) AND LEFT SIDE FRAME (H-L).



STEP 3

ATTACH LEFT AND RIGHT SIDE FRAMES ASSEMBLIES TO THE HEADBOARD (J) ASSEMBLY WITH HEAD BOLTS (1). USE ALLEN KEY (4) TO TIGHTEN HEAD BOLTS (1).



LEXINGTON 3 IN 1 CONVERTIBLE CRIB

DA1614B3

STEP 4:

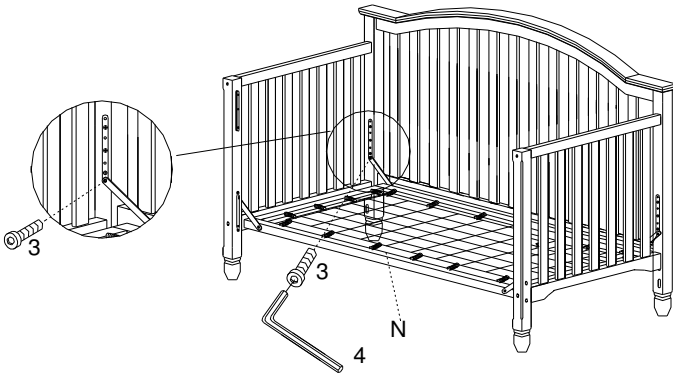
ATTACH MATTRESS SUPPORT (N) TO THE POST, WITH MATTRESS SUPPORT BOLTS (3). USE ALLEN KEY (4) TO TIGHTEN THE MATTRESS SUPPORT BOLTS (3).

REFER TO DETAILS 1 AND 2



RAISED EDGE SHOULD FACE DOWN THIS PHOTO SHOW MATTRESS SUPPORT IS UPSIDE DOWN

INCORRECT



TABS ON CORNERS OF MATTRESS SUPPORT SHOULD POINT UP

INCORRECT

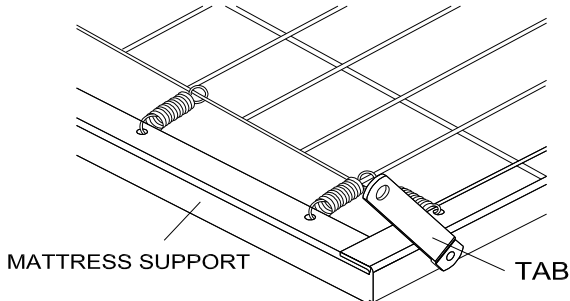


TAB TO POINT UP

FLAT SURFACE OF MATTRESS SUPPORT TO FACE UP-MATTRESS MUST SIT ON FLAT SURFACE.

CORRECT

DETAIL 1



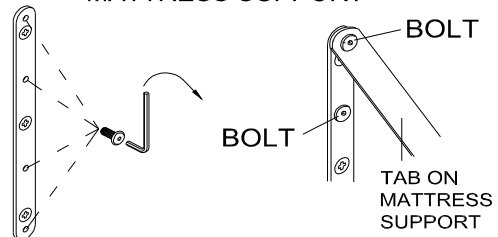
MATTRESS SUPPORT

TAB

NOTE: Tabs must always be above the mattress support when installed as shown in detail 1. Do not install the mattress support up side down where the 4 edges are above the wire mesh.

DETAIL 2

4 POSITION HOLES FOR MATTRESS SUPPORT



BOLT

BOLT

TAB ON MATTRESS SUPPORT

NOTE: Please ensure that all the height adjustment holes are filled with appropriate bolts after the mattress support has been moved to the desired level. Make sure that these bolts are tightly secured.

LEXINGTON 3 IN 1 CONVERTIBLE SLEIGH CRIB

DA1614B3

STEP 5

ALIGN AND SLIDE DROP SIDE (L) FROM THE BOTTOM ONTO THE DROP SIDE (L) UPPER AND LOWER TRACKS ON THE LEFT AND RIGHT FRONT POSTS (G-L & G-R) . MAKE SURE THE RELEASE LATCHES ON THE LOWER GUIDES ON DROP SIDE (L) ARE TO THE OUTSIDE OF THE LOWER DROP SIDE TRACKS (PULL TOWARDS YOU) . RAISE DROP SIDE (L) UNTIL IT LOCKS INTO PLACE.

CAUTION: DO NOT FORCE THE DROP SIDE AS YOU MAY BREAK THE LOCKS, GUIDES, OR TRACKS. ATTACH RUBBER STOPPERS (5) WITH MACHINE SCREWS (6), BEFORE OPERATING DROP SIDE (L).

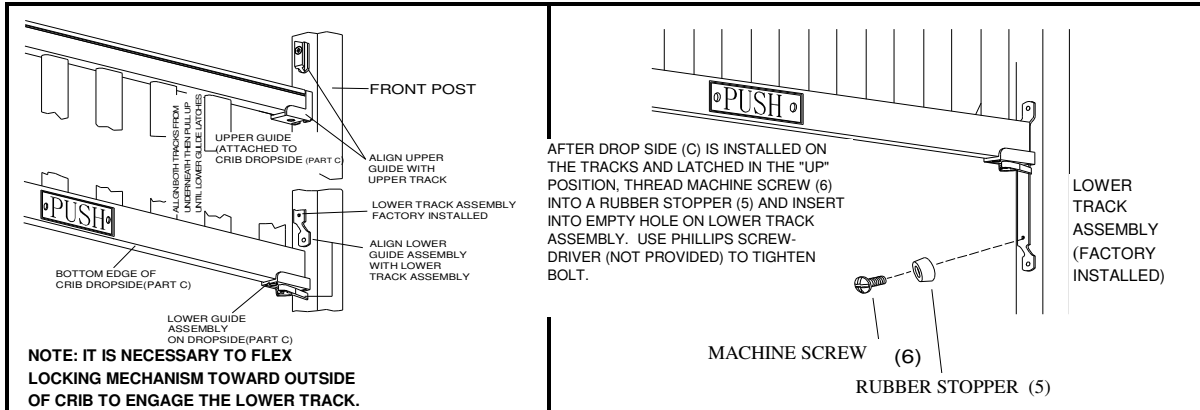
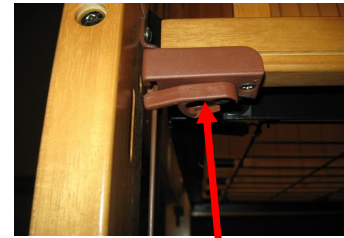
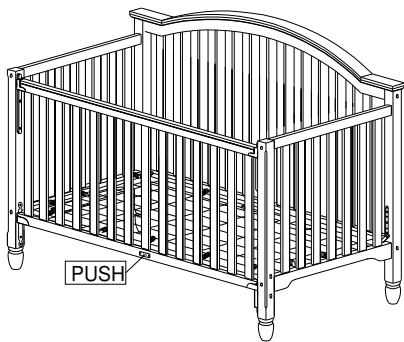


PHOTO A

PHOTO B



THE RELEASE LATCH ON THE LOWER GUIDES MUST BE ON THE OUTSIDE OF THE LOWER DROP SIDE TRACKS PULL TOWARDS YOU BEFORE SLIDING ONTO THE RACK.

THIS RUBBER STOPPER MUST BE INSTALLED PRIOR TO OPERATING DROP SIDE -IT WILL PREVENT DROP SIDE FROM FALLING TO THE FLOOR

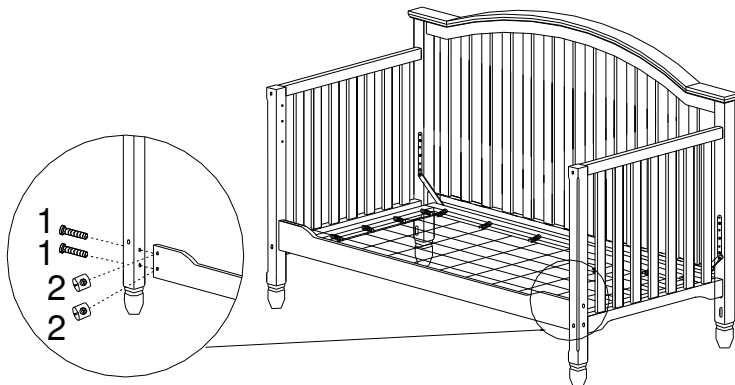
NOTE: PHOTOS A & B ARE TO DEMONSTRATE HOW THE DROP SIDE SHOULD BE INSTALLED. THE PHOTOS OF THE WOOD COMPONENTS OF THE CRIB MAY DIFFER FROM THE CRIB PURCHASED AND ARE FOR REFERENCE ONLY.

OPERATING INSTRUCTIONS FOR DROP SIDE

STAND AT THE MIDDLE OF THE DROP SIDE AND HOLD THE TOP RAIL WITH ONE HAND. RAISE THE DROP SIDE SLIGHTLY TO ENABLE YOU TO RELEASE THE LATCH BY PUSHING ON DROP SIDE LOWER RAIL WITH YOUR KNEE. THE DROP SIDE WILL LOWER. ALWAYS RAISE THE DROP SIDE AND VERIFY. IF IS SECURELY LOCKED WHEN BABY IS IN CRIB.

DAY BED & TODDLER BED

DA1614B3



⚠ WARNINGS:

* Any mattress used in this crib must be at least 27-1/4 inches by 51-5/8 inches (69cm by 131cm) with a minimum thickness of 4 inches (10cm) but not exceeding 6 inches (15cm).

* The DAY BED & TODDLER BED is not intended for children under 15 months of age or over 50 pounds.

NOTE: When inserting bolts turn clockwise until tight. Then loosen 1/2-3/4 of a turn. After crib is completely assembled, return to each bolt and tighten. Use wax or soap on all bolts to facilitate assembly.

TODDLER BED & DAY BED ASSEMBLY INSTRUCTION: STARTING FROM CRIB

STEP 1: UNSCREW THE RUBBER STOPPERS (5) FROM THE LOWER DROP SIDE (L) TRACKS ON THE LEFT AND RIGHT FRONT POSTS (G-L) & (G-R)

STEP 2: DETACH THE DROP SIDE (L) FROM THE LEFT AND RIGHT FRONT POSTS (G-L) & (G-R) BY SLIDING THE UPPER AND LOWER GUIDES ON EACH END OF THE DROP SIDE (L) DOWN UNTIL THEY ARE BELOW THE UPPER AND LOWER DROP SIDE TRACKS. THE DROP SIDE (L) WILL SLIDE OFF THE TRACKS AND CAN BE REMOVED.

STEP 3: UNSCREW AND DETACH THE LOWER AND UPPER DROP SIDE TRACKS FROM THE LEFT AND RIGHT FRONT POSTS (G-L) & (G-R).

STEP 4: IF MATTRESS SUPPORT (N) IS NOT IN THE LOWEST POSITION, UNSCREW MATTRESS SUPPORT BOLTS (3) FROM FRONT AND BACK POSTS (K-L) & (K-R) AND MOVE TO THE LOWEST POSITION.

STEP 5: USING THE ALLEN KEY (4), ATTACH THE DAY BED RAIL (M) BETWEEN THE LEFT AND RIGHT LEGS, USING HEAD BOLTS (1) AND BARREL NUTS (2).

STEP 6: ENSURE ALL BOLTS ARE TIGHTLY SECURED.

TODDLER BED & DAY BED ASSEMBLY INSTRUCTION: STARTING FROM SCRATCH

STEP 1: FOLLOW STEPS 1 TO 4 OF THE CRIB ASSEMBLY INSTRUCTIONS.

STEP 2: FOLLOW STEPS 3 TO 6 FOR THE DAY BED ASSEMBLY INSTRUCTION LOCATED ABOVE.

LEXINGTON 3 IN 1 CONVERTIBLE SLEIGH CRIB DA1614B3

FULL SIZE CONVERSION RAILS ARE NOT INCLUDED. DIAGRAM 2 IS FOR REFERENCE ONLY. BED RAILS MAY DIFFER FROM ILLUSTRATION.

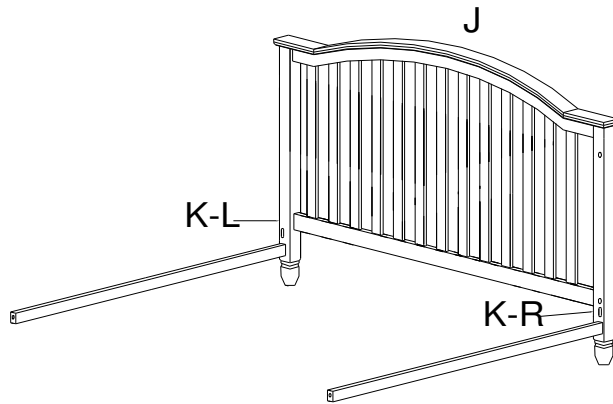
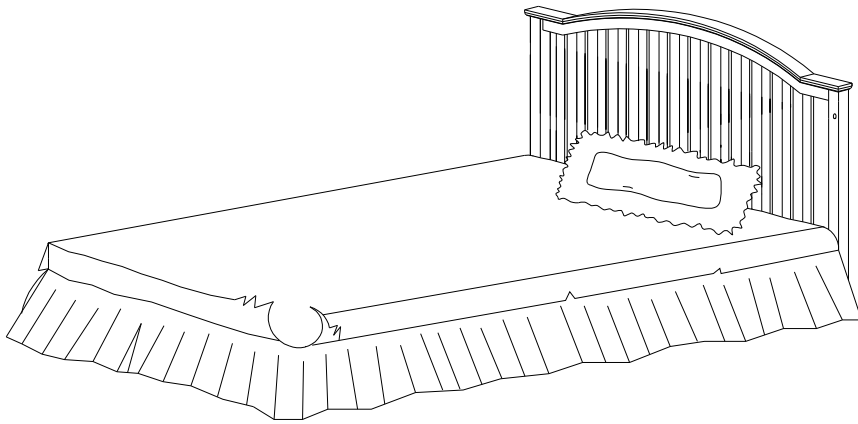


DIAGRAM 1



STEP 1

ASSEMBLE THE FULL SIZE CONVERSION RAILS AND LEGS (NOT INCLUDED) TO THE HEADBOARD (J).

DIAGRAM 2

IMPORTANT: STORE ALL EXTRA PARTS TO THIS "CRIB", "DAY BED" OR "FULL SIZE BED" THAT YOU ARE NOT USING FOR POSSIBLE FUTURE USE AS YOU MAY WISH TO CONVERT AGAIN. ALWAYS STORE THE ASSEMBLY DIRECTIONS IN THE POUCH ATTACHED TO THE MATTRESS SUPPORT (N).